



Zadora, adjustable

QBD570 1xHAL-MR50-45W 12V BR WH

1 pc - MASTER Line ES 50 mm - 45 W - 12 V - Bracket - White

Zadora is a range of recessed downlights for MASTERLine 35 and 50 mm dichroic halogen lamps (with beams of 8°, 24°, 36° and 60°) and Twistline Alu lamps. It is available in fixed and adjustable versions, the latter offering 30° orientation from the vertical. Zadora downlights are also available in ready-to-install kit versions. Maintenance is made easy by direct lamp access.

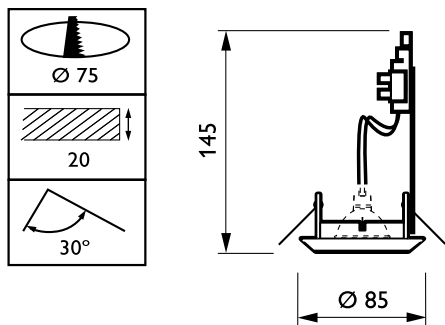
Product data

General Information	
Number of light sources	1 pc
Lamp family code	HAL-MR50 [MASTER Line ES 50 mm]
Lamp power	45 W
Kombipack	-
Gear	-
Driver/power unit/transformer	-
Connection	-
Protection class IEC	Safety class III
Mounting	Bracket
Glow-wire test	Temperature 850 °C, duration 5 s
Flammability mark	For mounting on normally flammable surfaces
CE mark	CE mark
ENEC mark	-
Operating and Electrical	
Input Voltage	12 V

Approval and Application	
Ingress protection code	IP20 [Finger-protected]
Mech. impact protection code	IK00 [No protection]
Product Data	
Full product code	871155957328199
Order product name	QBD570 1xHAL-MR50-45W 12V BR WH
EAN/UPC - Product	8711559573281
Order code	910502538418
Numerator - Quantity Per Pack	1
Numerator - Packs per outer box	10
Material Nr. (12NC)	910502538418
Net Weight (Piece)	0.176 kg

Zadora, adjustable

Dimensional drawing



Zadora Adjustable QBD570

